



FERROX 3565, 3585, 3585G INOX 3595, 3615, 3615G

Compression sprayers for plant protection

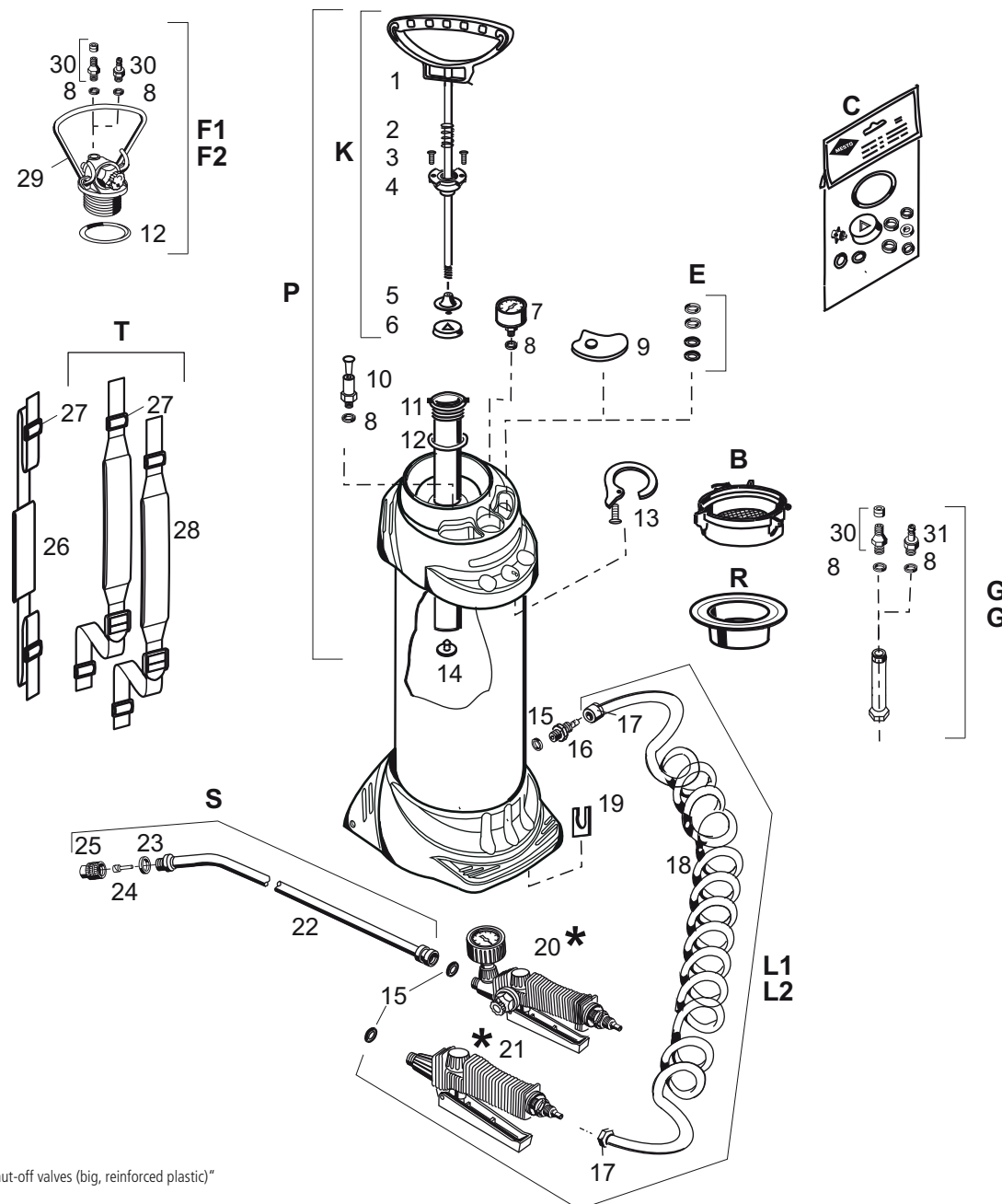


Fig.-No.	Ref.-No.	Description
B	6122	Filling strainer
C	6001	Service kit, containing parts 1
E	6001CN	Bag with spare parts and nozzle
F1	6210NA	Air filler valve with pressure reducer 6 bar (automotive tire valve)
F2	6210NB	Air filler valve with pressure reducer 6 bar (quick snap coupling)
G1	6222NA	Pressure control valve (automotive tire valve)
G2	6222NB	Pressure control valve (quick snap coupling D7,2)
K	6229NK	Piston rod assy.
L1	6321N	Discharge equipment with shut-off valve 1348
L2	6321ND	Discharge equipment with DOSICONTROL and pressure gauge
P	6233	Air pump, brass
R	6247N	Funnel cover
S	3658	Spray wand 50 cm with nozzle 1302
T	7121M	Pair of carrying straps, cpl.
1	6229N	Piston rod with handle
2	4210	Bumper spring
3	6243E	Screw D3,5 x 16 mm, stainless steel
4	6230	Cylinder cap
5	6212	Piston 38 mm
6	6208	Piston washer 38 mm
7	6701	Pressure gauge 6 bar
8	1205	Gasket D14 x D9,7 x 2 mm
9	6119K	Lid for spare parts box
10	6703K	Safety valve 6 bar
11	6256N	Cylinder tube
12	6225	O-ring D47 x 5,33 mm
13	6503	Pump holder with screw
14	6241	Valve disc with stud, NBR
15	1206	O-ring D10 x 3 mm
16	6341	Coupling M 10 (spiral hose)
17	6340K	Cap nut
18	6322PP	Spiral hose 2,5 m (PUR) with two cap nuts
18	6323P	Spiral hose 5 m (PUR)
19	6522S	Snap-in locking
20	1388G	DOSICONTROL pressure regulator
21	1348	Shut-off valve
22	3650	Spray lance 50 cm without nozzle
23	1360	Gasket D15 x D11 x 2 mm
24	1301	Swirl core, fine
25	1302	Nozzle, orifice, 1,1 mm
26	6124	Carrying strap
27	1502S	Buckle 30 mm width
28	1100	Carrying strap
29	6501	Carrying handle
30	6260	Tire valve
31	6261	Quick snap adapter with check

* = Spare parts details on page „Shut-off valves (big, reinforced plastic)“



1344, 1344L, 1344G, 1348,
1348L, 1348LN, 1348LS

1344, 1344L, 1344G, 1348,
1348L, 1348LN, 1348LS

Shut-off valves (big, reinforced plastic)

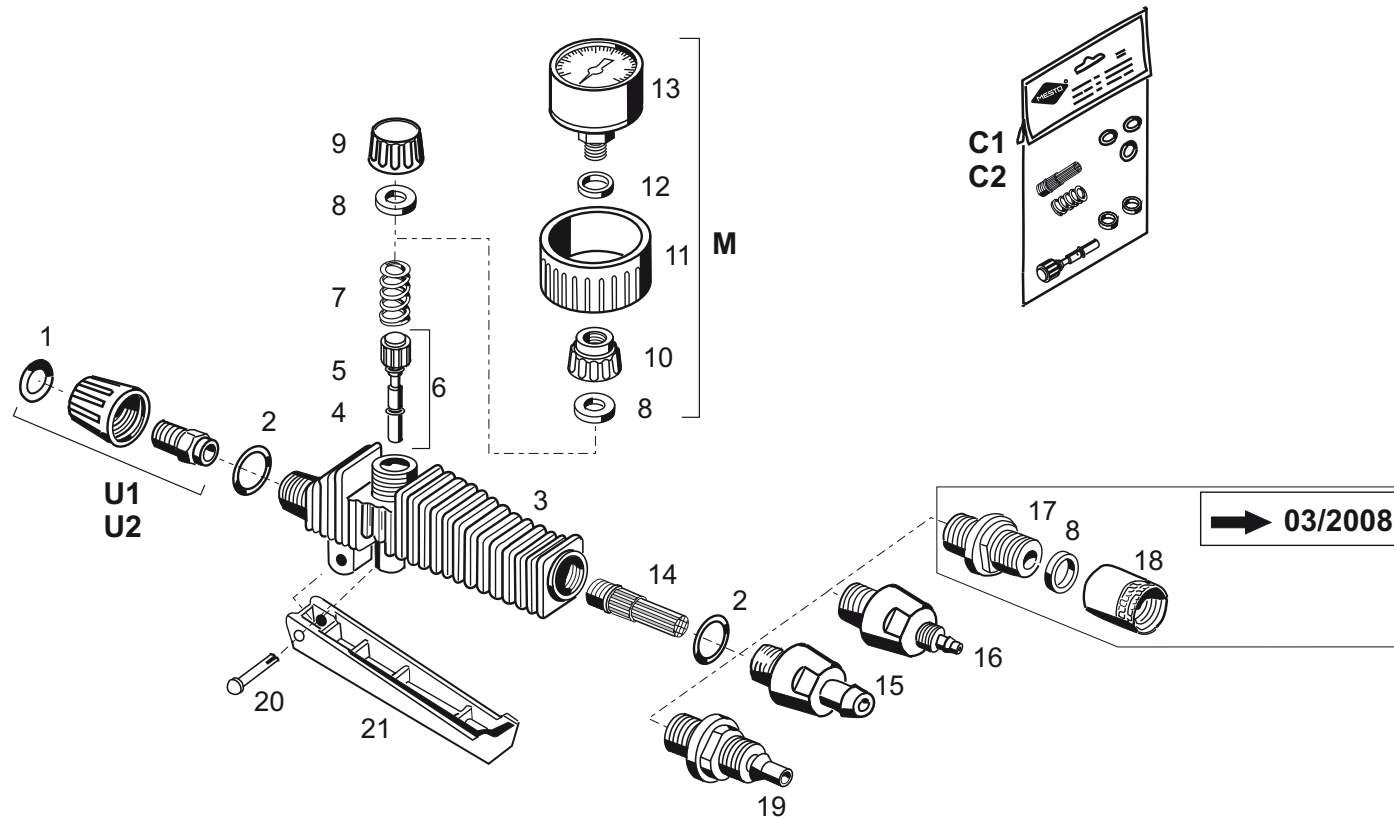


Fig.-No.	Ref.-No.	Description
C1	1004	Service kit 1344, 1348, NBR, containing parts 3
C2	1004L	Service kit 1344, 1348, FPM, containing parts 4
M	7702	Pressure gauge 6 bar shock protected
U1	1352	Adapter, cpl. female 18 x 1.5 / male 11 x 1
U2	1352L	Adapter, FPM female 18 x 1.5 / male 11 x 1
1	1206 ₃	O-ring D10 x 3 mm, NBR
1	1206L ₄	O-Ring D10 x 3 mm, FPM
1	1206E	O-Ring D10 x 3 mm, EPDM
2	6240 ₃	O-ring D17 x 2.5 mm, NBR
2	6240L ₄	O-ring D17 x 2.5 mm, FPM
3	1335	Valve body
4	1386	O-ring D4, 42 x 2.62 mm, NBR
4	1386L	O-ring D4, 42 x 2.62 mm, FPM
4	1386E	O-ring D4, 42 x 2.62 mm, EPDM
5	1387	O-ring D3 x 1.5 mm, NBR
5	1387L	O-Ring D3 x 1.5 mm, FPM
5	1387E	O-Ring D3 x 1.5 mm, EPDM
6	1354 ₃	Valve piston with O-rings, NBR
6	1354L ₄	Valve piston with O-rings, FPM
6	1354E	Valve piston with O-rings, EPDM
7	1382 _{3,4}	Spring
7	1382T _{3,4}	Spring coated
8	1361	Gasket D17 x D8 x 2.3 mm
9	1381	Screw cap
10	1156	Reducer
11	1711	Protective cup
12	1205	Gasket D14 x D9.7 x 2 mm
13	6701	Pressure gauge 6 bar
14	1373 _{3,4}	Filter
15	1162	Sight glass with hosetail D10 mm
16	1162S	Hosetail, spiral hose, with viewing glass
17	1338A	Nipple M 18 x 1.5 double male
17	1338L	Nipple M 18 x 1.5 double male, FPM
18	1405	Socket M 18 x R 1/4"
19	1338	Hosetail D8 mm PP
20	1369	Swivel pin
21	1336	Trigger