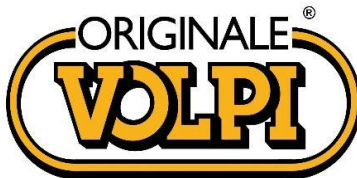


Davide e Luigi Volpi S.p.A.
Via San Rocco, 10
46040 CASALROMANO MN
ITALIA



COMPANY WITH QUALITY SYSTEM
MANAGEMENT CERTIFIED BY ICIM
= ISO 9001 =

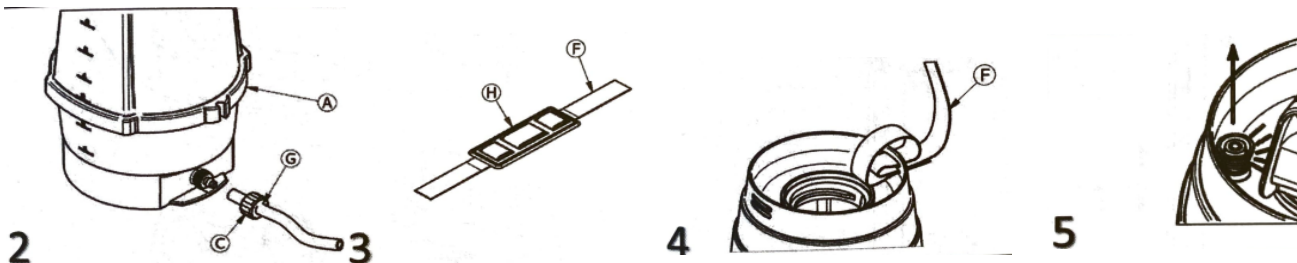
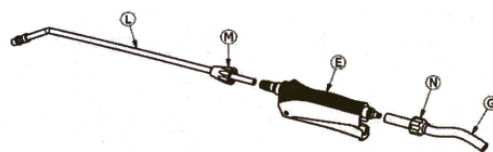
UK Manual pre-compression sprayer

INSTRUCTIONS FOR USE:

The present instructions for use are part of the sprayer, preserve them in a safe place and nearby the sprayer to have it at disposal if needed. Before using or doing the maintenance of the sprayer, it is recommended to read carefully the instructions and to strictly follow the warnings and the information reported, to use it correctly and safely.

HOW TO ASSEMBLE THE SPRAYER:

- 1 Unscrew the ring M from the handgrip E and insert it in the lance L;
- 2 Insert the lance into the beginning of the handgrip E;
- 3 Tighten the ring M on the handgrip E (fig. 1).
- 4 Unscrew the ring N from the handgrip E and insert it into the pipe G;
- 5 Stick completely the tip of the pipe G on the rubber holder of the **1** handgrip E;
- 6 Tighten until the end the ring N on the handgrip E (fig.1).
- 7 Insert the ring C on the pipe G;
- 8 Insert completely the tip of the pipe G on the rubber holder of the tank A;
- 9 Tighten until the end the ring C on the tank A (fig. 2).
- 10 Insert the shoulder strap into the slots of the sheath H (fig. 3).
- 11 Insert the tip of the strap F into the slots of the tank A as reported in the picture (fig. 4)

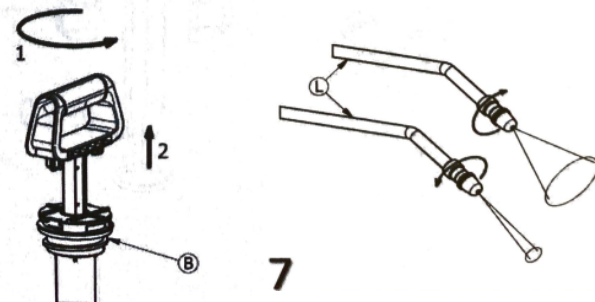


HOW TO FILL THE TANK:

- 1 Pull the knob of the pressure discharge valve (fig. 5) to ensure the tank is not in pressure and the valve works regularly.
- 2 Unscrew the pump B and remove it;
- 3 Pour the solution prepared into the using the filter D until it reaches 2/3 of the total capacity of the tank. Tighten the pump B.

HOW TO USE:

- 1 Drop the handgrip rotating it counterclockwise (fig. 6).
- 2 Pump 4-5 times, act on the pressure discharge valve and check if the air gets out (fig. 5).
- 3 Go on pumping until it reaches the right pressure (max 3 bar).
- 4 To spray, use the handgrip E;
- 5 Regulate the jet depending on the wanted treatment, rotating the nozzle (fig. 7).
- 6 When the jet gets lower it is necessary to reset the pressure into the tank.
- 7 The sprayer can be carried by hand with the handle blocked on the pump or on the shoulder through the shoulder straps F.
- 8 During the carrying make sure the sprayer avoids unwanted spills of product. For herbicide treatment use specific nozzles.



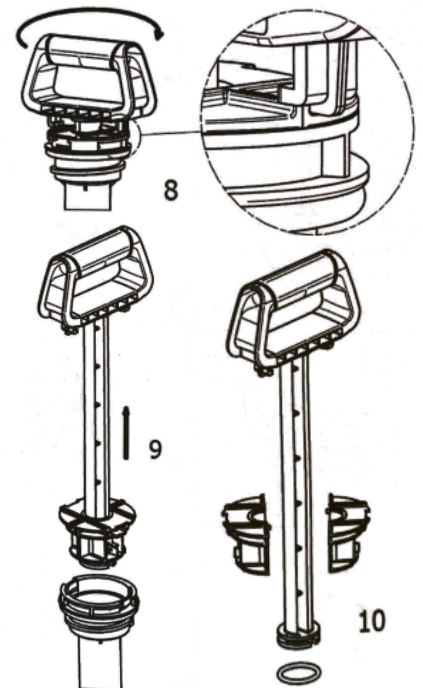
AFTER THE USE:

- 1 Keeping the sprayer in vertical position, action the pressure discharge valve (fig. 5) and depressurize completely the tank;
- 2 Unscrew and remove the pump B.
- 3 Pour all the liquid left over in a container and wash the inside of the tank and the flexible tube with clean water, spraying the clean water through the lance;
- 4 Open the handgrip and check periodically that the filter is integral and clean.
- 5 Leave the sprayer with the pump slightly unscrewed, in a place clean and dry not accessible by children, protected from sun and cold weather.

MAINTENANCE: always keep clean, intact and greased, the seals, the valve at the bottom of the pump, the cylinder, the internal edge of the tank. The breakup or the hardening of just one of these components can compromise the correct functioning of the sprayer. Be careful in the reassembly of the components. In case of improper delivery, clean the nozzle with clean water.

Substitution internal OR (B6):

- 1 Make sure the tank is not in pressure by actuating on the valve (fig. 5)
- 2 Remove the pump from the tank
- 3 Place the handgrip on the pump and rotate it counterclockwise (fig. 8) until the end
- 4 Pull out the piston pump (B1) and the adapters (B3) (fig. 9)
- 5 Substitute the OR (fig. 10)
- 6 Repeat the inverse procedure to reassemble the pump.
- 7 During the procedure (fig. 8) rotate counterclockwise the adapters until the end (you will hear a click).



LIMITED RESPONSIBILITY:

The producer is not responsible for damages caused by the sprayer whenever those would have been caused by a non-application of the manual of instructions, by an misuse, by an inappropriate reparation or by the substitution of spare parts with non original ones and the reparation has not been done by the assistance service or by a technician properly authorised by the producer. What mentioned above is valid also for the components and accessories.

WARRANTY:

This sprayer is covered by legal warranty (in the EU it lasts for 24 months from the purchase date). The warranty covers manufacturing defects or defects of the materials used.

Depending on the decision of the producer, the product will be replaced or repaired for free only if it has been used in the correct way, in line with the instructions of use and not compromised. The product has to be sent together with the purchase document.

The warranty does not cover the labour costs, or the transport costs. The wear parts (seals, pump lever and its components) are excluded from the warranty. The intervention in warranty does not extend in any case the warranty period.

WARNINGS:

- This sprayer is intended for the delivery of liquid solutions with density lower than 1,1 and heat not higher than 40°C.
- It is important to strictly follow the instructions provided by the producer of the substance delivered.
- Do not deliver products without being in possession of technical datas provided by the producer.
- Under no circumstances it is ever possible to use the sprayer with solvents, acids, flammable and explosive liquids, corrosive liquids, disinfectant agents and impregnating agents.
- Do not use the sprayer with pesticides, if not using the 166RPK kit.
- Only use plant protection products authorised by the Minister of Health.
- Children, people under 16 years old and pregnant ladies cannot use the sprayer, while mentally and sensory disabled only under supervision.
- Do not use the sprayer if tired, ill or under the effects of alcohol, drugs or medicinal products.
- The sprayer is designed only for manual use.
- Use the sprayer only for intended purpose. An inappropriate use of the sprayer can be dangerous.
- Always wear protective clothes and devices (coveralls, gloves, mask, glasses) to avoid contact with harmful and toxic products.
- Prepare the solution in an external container and not directly in the tank of the sprayer.
- Pay attention not to breathe in steam and drops of the delivered solution. In case of contact and accidental breath in, consult a doctor.
- Do not eat, drink or smoke during the treatment.
- Do not blow into the nozzles with the mouth.
- Use the sprayer in wide working areas not windy.
- In windy situations, do not spray upwind.
- Keep the sprayer away from children and pets.
- Do not spray nearby waters with fishes.
- Keep the sprayer away from heat sources, do not leave it exposed to the sunlights or to cold weather for a long time.

- Do not disperse in the environment the chemical products leftover.
- Do not use the pressure discharge valve.
- Do not pressurize the sprayer with external equipment (compressors, etc.).
- Do not unscrew the closing parts if the tank is in pressure. Before opening the tank of the sprayer, make sure the sprayer is completely depressurized. Do not pressurize the sprayer unnecessarily.
- Do not use incorrectly or alter the sprayer in any way.
- Before each use, verify the conditions of the sprayer.
- Do not leave it unattended, full and under pressure.
- The sprayer must always be placed on a horizontal and straight floor.
- After the use of the sprayer, wash carefully your hands, your face and the clothes used.
- The eventual reparations must be done only by the assistance service or by the authorised technicians. Use only original spare parts.

CE DECLARATION OF CONFORMITY

(Directive 2006/42/EC of the European Parliament on machinery, annex II 1.A)


I, the undersigned **DAVIDE E LUIGI VOLPI SPA**, based in Via San Rocco, 10 – 46040 Casalromano (MN) - Italia
AS PRODUCER DECLARES UNDER ITS RESPONSIBILITY THAT THE ITEM

19KPR - PRESSURE SPRAYER 6 Lt V-BLACK KOMPRESS complies with the directive 2006/42/CE - EN ISO 12100:2010 and with the directive 2014/68/UE Art. 4.3

The current item used with the optional cod. 166RPK (kit to be used with pesticides) complies with the directive ISO 19932-1-2

The technical file is made up by Davide e Luigi Volpi S.p.A. as a legal entity.

The legal representative Eligio Volpi



Tank capacity			6 Lt
Max pressure of work			3 bar
Optimal pressure of work			2,2 bar
Empty weight	1,5 kg	Loaded weight	7,5 kg
Capacity (2 bar pressure and closed nozzle)			0,22 Lt / min.
Capacity (2 bar pressure and open nozzle)			1,2 Lt / min.
Total remaining volume			0,23 Lt

